



www.gildedplanet.com

Product Catalog

January 2005

The gilder's complete source for Gold, Silver and Copper leaf, gilding supplies, tools, materials and professional support.

Guide to our Products:

About The Gilded Planet	Page 2	Water-Based Sizes	Page 17
Genuine Gold Leaf	Page 3	Gelatin Sizes	Page 17
German Gold Leaf	Page 3	Primers for Gilding	Page 18
Gold Leaf Charts	Page 4	Sealers for Gilding	Page 18
Italian Gold Leaf	Page 5-6	Powders for Gilding	Page 19
French Gold Leaf	Page 7	Gold Specialty Products	
Edible Gold Leaf	Page 7	Gold Skewings	Page 19
Ribbon Gold Leaf	Page 8	Shell Gold	Page 20
Genuine Silver Leaf	Page 9	Cheese Cloth	Page 20
German Silver Leaf		Wiping Material	Page 20
Italian Silver Leaf		Parchment Clippings	Page 20
French Silver Leaf		Gilding Gloves	Page 21
Palladium Leaf	Page 10	Rottenstone	Page 21
Italian Palladium Leaf		Pumice Powder	Page 21
French Palladium Leaf		Shellac Flakes	Page 21
METAL LEAF	Page 11	White Gesso	Page 21
Composition Leaf, Aluminum Leaf,		Hide Glue	Page 22
Copper and Variegated Leaf		Rabbit Skin Glue	Page 22
Italian Metal Leaf	Page 11	Gelatin Glue	Page 22
German Metal Leaf	Page 12	Gilder's Tools	
Japanese Metal Leaf	Page 12	Gilder's Pad	Page 22
Ribbon Metal Leaf (Rolls of Leaf)		Gilder's Knife	Page 22
Composition Gold	Page 13	Leaf Thongs	Page 23
Aluminum	Page 14	Gold Trimmer	Page 23
Copper	Page 14	Horse Hair Cloth	Page 23
Gilding Supplies		Gilder's Wheel	Page 23
Burnishing Clay - Bole	Page 15	Burnisher's and	
Sizing - Gilder's adhesive		Gesso Carving Tools	Page 23
Oil-Based Sizes	Page 16	Ordering and	
		Shipping Information	Page 24

www.gildedplanet.com

To Order visit us on-line at www.gildedplanet.com or call at 415.407.5097
e-mail: goldsmith@gildedplanet.com



WHO WE ARE....

The Gilded Planet is your one stop gold leaf source for gilding techniques, information and products on and off the web. The Gilded Planet is owned and operated by Master Gilders, with international experience in the world of gilding, restoration, preservation and conservation.

PRODUCTS

Our extensive product line is targeted toward the professional gilder and the novice do-it-yourselfer alike.

For the Professional and large project orders.

At the GildedPlanet.com, our goal is to distribute the highest quality gilding products - and provide exclusive product discounts. At the Gilded Planet, we are able to offer the most competitive pricing for large orders of gilding products available. Because of our minimum order requirement (one pack of leaf - or 20 books of 500 leaves), we can maintain the high quality product you require, while offering reduced pricing.

The ArtSparx Gilder's Store

No minimum order requirement needed. Our exclusive partnership with artSparx.com allows us to provide small quantity, and custom gilding products to our customers. Purchase one book of gold or 10, at The artSparx Gilder's Store there are no orders too small. We offer you great pricing from our partner, artSparx.com!

VALUED INFORMATION

Up-to-date product information and resources for the gilding enthusiast. With new information updated regularly. The Gilded Planet offers many resources for our customers to complete their job successfully. From expert advice to easy to understand step-by-step tutorials, the GildedPlanet.com places an expert at your side.

GILDING TUTORIALS and SPECIAL SERVICES

Our exclusive partnership with artSparx.com provides an unequalled resource for any gilders needs. In addition, the extensive Design Styles, Step-by-step Decorative Art Tutorials and Home Improvement archives provide unparalleled resources for all creative individuals or organizations.

www.gildedplanet.com

To Order visit us on-line at www.gildedplanet.com or call at 415.407.5097
e-mail: goldsmith@gildedplanet.com

Genuine Gold Leaf

German Gold Leaf:

MONARCH Brand

This high quality German leaf is available in 35 varieties, including double weight, glass, patent and the popular French Pale Gold, Moon Gold and Silver leaf. Each Pack of leaf (500 leaves) is packaged in the distinctive blue Monarch box. This leaf is produced using the latest technology and the respected traditions of the German gold beating crafts.



Item #		Karats	Grams/1000 Lvs.
MO24.00FG	Fine Gold	24	19
MO23.75RN	Rosenoble	23 ¾	19
MO23.75RP	Rosenoble Patent	23 ¾	19
MO23.50DK	Dukaten	23 ½	18
MO23.50DP	Dukaten Patent	23 ½	18
MO23.50RG	Red Gold	23 ½	18
MO23.50RP	Red Gold Patent	23 ½	18
MO23.00GL	Glass	23	16
MO23.00SF	Surface	23	16
MO23.00PA	Patent	23	16
MO23.00DB	Double	23	18
MO23.00EG	Edible	23	16
MO22.75DD	Dark	22 ¾	15
MO22.75PA	Patent	22 ¾	15
MO22.50DD	Dark	22 ½	15
MO22.50DP	Patent	22 ½	15
MO22.00GL	Glass	22	16
MO22.00SF	Surface	22	16
MO22.00PA	Patent	22	16
MO22.00DB	Double	22	18
MO22.00FP	French Pale	22	15
MO21.00MG	Moon Gold	21	19.5
MO21.00MP	Moon Gold Patent	21	19.5
MO18.00LE	Lemon	18	14
MO18.00PA	Lemon Patent	18	14
MO16.00PL	Pale	16	15
MO16.00PA	Pale Patent	16	15
MO13.25WH	White	13 ¼	16
MO12.00WH	White	12	16
MO12.00PA	White Patent	12	16
MO9.00WH	White	9	16
MO9.00PA	White Patent	9	16

Color Chart of actual leaf samples oil gilded on white paper GCC/MO - \$ 22.00

www.gildedplanet.com

To Order visit us on-line at www.gildedplanet.com or call at 415.407.5097
e-mail: goldsmith@gildedplanet.com

GildedPlanet Leaf Special HEAVY/EXTRA STRONG

GildedPlanet Leaf Special (German Gold Leaf) is the thickest and most durable DOUBLE WEIGHT German gold leaf available. For superior quality gilding, we recommend this brand of gold leaf. The Platora leaf contains gold with platinum and Platora III leaf contains gold with palladium.

Item#		Karat	Grams/1000Lvs
SL24.00DS	Fine Gold	24	27
SL24.00PL	Platora	24	28
SL24.00PP	Platora III	24	27
SL23.75DR	Rose-Noble	23 $\frac{3}{4}$	23
SL23.75DP	Rose-Noble Patent	23 $\frac{3}{4}$	23
SL23.50DA	Antique	23 $\frac{1}{2}$	22
SL23.50DP	Antique Patent	23 $\frac{1}{2}$	22
SL23.00DS	Special	23	21
SL23.00DP	Patent	23	21
SL23.00PB	P. Burnish	23	18
SL22.50DO	Orange	22 $\frac{1}{2}$	19
SL22.00PB	P. Burnish	22	16
SL22.00DS	Special	22	19
SL21.50LE	Lemon	21 $\frac{1}{2}$	19

GOLD Leaf Color Charts

Hand made color charts of actual leaf samples, oil gilded on white paper. The gold charts indicate alloy, grams per 1000 leaves and fine gold content. The information furnished by the manufacturer is averaged and is not intended for assay use.

MONARCH Color Chart	GCC/MO	\$ 22.00
GILDEDPLANET Color Chart	GCC/SL	\$ 22.00
FOAB Color Chart	GCC/FO	\$ 22.00
BEST Color Chart	GCC/IT	\$ 22.00
MANETTI Color Chart	GCC/MA	\$ 22.00
CROCODILE BRAND Color Chart	GCC/CR	\$ 22.00
DAUVET Color Chart	GCC/FR	\$ 22.00
JAPANESE SILVER Color Chart	GCC/JL	\$ 22.00
JAPANESE COLORED SILVER Color Chart	GCC/CSL	\$ 22.00
SET OF NINE GOLD LEAF Color Charts	GCSET	\$ 145.00

www.gildedplanet.com

To Order visit us on-line at www.gildedplanet.com or call at 415.407.5097
e-mail: goldsmith@gildedplanet.com

ITALIAN GOLD LEAF

MANETTI Brand

Manetti is one of the oldest manufacturers of gold and silver leaf in the world. Founded in 1820, it has preserved the ancient craft of gold beating, handed down from generation to generation. Over the years, the historic craftsmanship for which Manetti is famed has been updated by the introduction of modern machinery, without compromising the company's high standards of quality. With 170 years of experience and a large production capacity, Manetti is a key name for quality gold and silver leaf in Italy and worldwide.



Item #		Karats	Grams/1000 Lvs.
MA24.00DB	Deep Double	24	18
MA24.00DP	Double Patent	24	18
MA23.75RN	Rosenoble	23 $\frac{3}{4}$	18
MA23.75RP	Rosenoble Patent	23 $\frac{3}{4}$	18
MA23.50DD	Dukaten	23 $\frac{1}{2}$	18
MA23.50DP	Dukaten Patent	23 $\frac{1}{2}$	18
MA23.50PG	Platin Gold	23 $\frac{1}{2}$	18
MA23.50RG	Red Gold	23	16
MA23.00DB	Double	23	18
MA23.00GL	Glass	23	16
MA23.00SF	Surface	23	16
MA23.00PA	Patent	23	16
MA22.00MG	Moon Gold	22	16
MA22.00MP	Moon Gold Patent	22	16
MA22.00FP	French Pale	22	16
MA22.00DB	Double	22	18
MA22.00GL	Glass	22	16
MA22.00SF	Surface	22	16
MA22.00PA	Patent	22	16
MA18.00LE	Lemon	18	16
MA16.00PL	Pale	16	16
MA13.25WH	White	13 $\frac{1}{4}$	16
MA12.00WH	White	12	16
MA12.00PA	White Patent	12	16

Gilding Fact

Leaf coverage

A book contains 25 leaves, a pack contains 20 books, equaling 500 leaves. Each pack of 500 leaves covers a surface area of 39.50 sq.ft. without waste or overlap. The gilder can determine the percentage of waste based on the complexity of the object and his or her own expertise in laying leaf. If for example, the surface is very ornate with deep crevices, it will require more leaf than the same size area of a flat surface.

www.gildedplanet.com

To Order visit us on-line at www.gildedplanet.com or call at 415.407.5097
e-mail: goldsmith@gildedplanet.com

BEST Brand

The Italian BEST brand of gold leaf is economical and very popular for all areas of gilding. The most advanced technology is employed to manufacturer Best brand gold leaf in the world's most modern gold beating factory. The 23kt Edible Gold leaf contains gold and silver only, no copper, and is suitable for use as a food decoration. FOT-160SV is a heavy weight silver foil cut to 3 3/8 x 3 3/8 inches and packaged in books of 25 sheets.



Item #		Karats	Grams/1000Lvs.
IT24.00FG	Fine Gold	24	24
IT23.75SR	Swiss Restorer	23 3/4	18
IT23.00GL	Glass	23	16
IT23.00SF	Surface	23	16
IT23.00PA	Patent	23	16
IT23.00RG	Red	23	16
IT23.00EG	Edible Gold	23	16
IT22.00GL	Glass	22	13
IT22.00SF	Surface	22	13
IT22.00PA	Patent	22	13
IT12.00WH	White	12	22
IT12.00PA	White Patent	12	22

Best Brand Silver Leaf see page 9

FOAB Gold Leaf

Italy's finest gold cutters hand select each leaf for uniform quality and only those leaves meeting the highest standards are packaged for sale as FOAB gold leaf. The 22kt. P. Burnish leaf is the ideal weight for burnishing.



Item #		Karats	Grams/1000Lvs.
FO23.00SF	Surface	23	16
FO23.00PA	Patent	23	16
FO22.00GL	Glass	22	13
FO22.00SF	Surface	22	13
FO22.00PA	Patent	22	13
FO22.00PB	P. Burnish	22	15.5

Gilding Fact

Leaf Size

Gold leaf is 3 3/8 x 3 3/8 inches square (85 mm x 85 mm) and is sold in units called packs, containing 500 leaves. A pack is divided into 20 books with each book containing 25 leaves.

FRENCH GOLD LEAF

Dauvet Brand - The oldest gold leaf factory in the world



France's Dauvet gold leaf is highly regarded and well known in Europe for its extensive range of karats and unusual colors. This wide range of colors is important to restorers and conservators when they seek the exact match for a gilded object. French gold leaf is 84 x 84 mm square (3.5/16 x 3.5/16") and the books of leaf are packaged in individual envelopes in clear plastic boxes. Also see Dauvet Powder gold on page 19.

Item #		Karats	Grams/1000Lvs
DA23.50SU	Superior	23.5	17
DA22.90RO	Rouge	22.9	14
DA22.90VE	Versailles	22.9	14
DA.90CK	Citron K	22.9	14
DA22.70JA	Jaune A. D.	22.7	14
DA22.00JH	½ Jaune Vif	22.0	14
DA22.70RE	Regence	22.7	14
DA22.30PE	Perse	22.3	14
DA21.30CT	½ Citron	21.3	14
DA18.40VF	Vert Fonce	18.4	14
DA09.60GR	Gris	9.6	14

EDIBLE GOLD LEAF

Genuine 23kt Edible Gold Leaf

GoldGourmet brings the art of gilding to all chefs, bakers and confectioners. The simple process of adding elegant 23kt edible gold leaf to fine baked goods, candies, and holiday cakes creates exquisite desserts and memorable dining experiences. GoldGourmet from Crocodile includes a new edible gold gilding kit with 12 2" square leaves, replacement books of 12 leaves, Edible Gold Flakes and Stainless Steel Shaker, and traditional books of 25 leaves, 3 3/8" x 3 3/8" sold in packs of 20 books.



Genuine 23kt Edible Gold Leaf Kits - Gold Flake or Gold Dust

Delivered in a decorative gift box, each kit includes .35 grams of Edible Gold flakes or Edible Gold dust with "Romantic Recipes," a recipe card of cocktails and dessert ideas using Edible Gold leaf. Choose from 3 different ribbon colors! Silver, Red or Dijon Yellow. \$ 39.99

GoldGourmet Edible Gold Leaf Kit -

This pre-packaged kit includes 1 book of 12 Edible Gold leaves. Each leaf is 2" x 2" sq. This kit also features a soft fan brush for applying the Edible Gold Leaf. \$ 34.00

Item #	Karats		
goldEDpack001	23 kt	3 3/8 in. x 3 3/8 in.	500 leaves per pack \$ 495.00
goldED12	23kt	12 leaf booklet.	2" x 2" square leaves \$ 24.00
goldEDfl	23kt	Gold flake in 1 gram containers.	\$ 67.50
goldEDdust	23kt	Gold leaf dust in 1 gram containers.	\$ 67.50

www.gildedplanet.com

To Order visit us on-line at www.gildedplanet.com or call at 415.407.5097
e-mail: goldsmith@gildedplanet.com

RIBBON GOLD LEAF

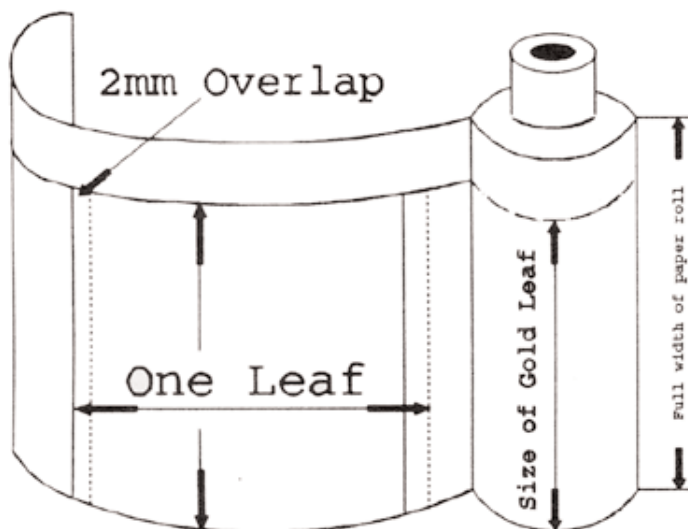
Crocodile Ribbon Gold Leaf

Crocodile Mater Rolls are 105mm (4 1/8") wide and approximately 21 meters (69 feet) long. They cover approximately 23 sq.ft. without waste or overlap. Any width rolls up to 105mm can be cut from master tolls on special order. Please indicate the karat (22, 23, or 23.5) when ordering the stock sizes listed below.

Available in 22kt, 23kt and 23.5 kt

Item #	Size	
CR_003	1/8"	3mm
CR_006	1/4"	6mm
CR_010	3/8"	10mm
CR_013	1/2"	13mm
CR_016	5/8"	16mm
CR_019	3/4"	19mm
CR_025	1"	25mm
CR_031	1 1/4"	31mm
CR_038	1 1/2"	38mm
CR_044	1 3/4"	44mm
CR_051	2"	51mm
CR_063	2 1/2"	63mm
CR_076	3"	76mm
CR_085	3 3/8"	85mm
CR_102	4"	102mm
Uncut Master Roll		
CR_MAS	4 1/8"	105mm

Crocodile Ribbon Gold Leaf is manufactured by placing 4 1/8" square leaves onto a continuous length of waxed paper with a 2mm overlap. The rolled paper and the cardboard core are equal in width and the gold leaf is placed inside the edge of the paper. Crocodile Ribbon Leaf can be trimmed to any size required. When trimmed, the gold leaf and paper are cut to produce a clean edge of gold and paper of the exact width.



www.gildedplanet.com

To Order visit us on-line at www.gildedplanet.com or call at 415.407.5097
e-mail: goldsmith@gildedplanet.com

Genuine Silver Leaf

GERMAN Silver Leaf

GildedPlanet Silver Leaf is manufactured to meet the highest standards using the latest technology. This high quality leaf is cut to the traditional silver size of 95mm x 95mm and the leaf is packaged in booklets of 25 leaves with 20 books per pack of 500 leaves.



MONARCH Silver Leaf

MO00.00SV	Silver	95mm x 95mm	29
MO00.00SP	Silver Patent	95mm x 95mm	29
MO00.00ST	Silver Thin	95mm x 95mm	20

KAMM Silver Leaf

KO0.00SV	Silver	95mm x 95mm	29
----------	--------	-------------	----

ITALIAN Silver Leaf

Manetti Brand

MA00.00SH	Silver - Heavy		33
MA140SV	Silver	140mm x 140mm	65

BEST Brand

Silver			
IT00.00SV	Silver	95mm x 95mm	29
IT00.00SP	Silver Patent	95mm x 95mm	29
IT130SV	Silver	130mm x 130mm	50
FOT-160SV	Silver Foil		160

FRENCH Silver Leaf

Dauvet Brand - The oldest gold leaf factory in the world

DA00.00SV	Argent (silver)	93mm x 93mm	17
-----------	-----------------	-------------	----

Dauvet Silver is beaten extra thin and is recommended for traditional water gilding.

www.gildedplanet.com

To Order visit us on-line at www.gildedplanet.com or call at 415.407.5097
e-mail: goldsmith@gildedplanet.com

Palladium Leaf

ITALIAN PALLADIUM LEAF

Manetti

MA00.OPD	Palladium	16
MA00.OPP	Palladium Patent	16

FRENCH PALLADIUM LEAF

Dauvet Brand - The oldest gold leaf factory in the world

DA00.00PD	Palladium	17
-----------	-----------	----

Gilding Facts:

Packaging

A Book contains 25 leaves, a pack contains 20 books.
A Pack of 500 leaves covers 105 sq.ft., if done without waste or overlap.

Genuine Leaf Products

Gold Leaf - Visit the Gold Leaf Information Center at www.gildedplanet.com for detailed information.

Palladium Leaf - is a silver color metal, resistant to air born corrosives.

Silver Leaf - is genuine silver and will tarnish if not sealed.

Metal Leaf Products

Metal leaf leaves are separated by thin tissue paper. Metal leaf will change color or tarnish if left exposed. If this is not desired effect, the metal leaf should be sealed. It is best to wear gloves when handling metal leaf to avoid leaving finger prints and other residues that may cause the leaf to discolor under the sealer. Cotton Gilder's Gloves (see page 21) are recommended.

Composition Gold - 85% copper, 15% zinc, imitates 22 karat gold.

Aluminum Leaf -made from pure aluminum, imitates silver.

Copper Leaf -made from pure copper.

Variegated Leaf -metal leaf that has been heat treated to create metamorphic random patterns of intense color.

www.gildedplanet.com

To Order visit us on-line at www.gildedplanet.com or call at 415.407.5097
e-mail: goldsmith@gildedplanet.com

METAL LEAF

Composition Leaf, Aluminum Leaf, Copper and Variegated Leaf

Italian Metal Leaf

NAZIONALE BRAND

COMPOSITION GOLD LEAF - Copper & Zinc

Pack of 500 leaves 5 1/2" x 5 1/2"

N2110	Color 1
N2120	Color 2
N2125	Color 2.5
N2130	Color 3

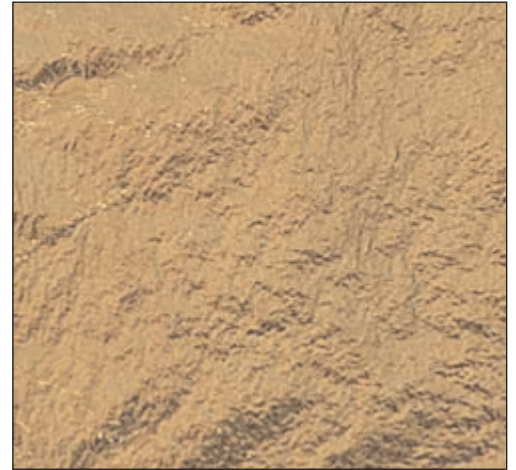
Pack of 1000 Leaves 6 1/4" x 6 1/4" - Oversize 30% larger

N2125/16	Color 2.5
----------	-----------

PATENT COMPOSITION GOLD LEAF - Copper & Zinc

Pack of 500 leaves 5 1/2" x 5 1/2"

N2125/PA	Color 2.5
----------	-----------



ALUMINUM LEAF

Pack of 500 leaves 5 1/2" x 5 1/2"

N2140	Aluminum
-------	----------

Pack of 1000 Leaves 6 1/4" x 6 1/4" - Oversize 30% larger

N2140/16	Aluminum
----------	----------

PATENT ALUMINUM LEAF

Pack of 500 leaves 5 1/2" x 5 1/2"

N2140/PA	Aluminum
----------	----------

COPPER LEAF

Pack of 500 leaves 5 1/2" x 5 1/2"

N2135	Copper
-------	--------

PATENT COPPER LEAF

Pack of 500 leaves 5 1/2" x 5 1/2"

N2135/PA	Copper
----------	--------

VARIEGATED LEAF

Variegated Amorphic Leaf

Pack of 500 leaves 5 1/2" x 5 1/2"

N2250	Green Stripe
N2260	Green Tints
N2270	Black Special

Variegated Leaf

Pack of 500 leaves 5 1/2" x 5 1/2"

N2155	Red
N2165	Blue
N2185	Green

Variegated Leaf

Pack of 500 leaves 6 1/4" x 6 1/4" - Oversize 30% Larger

N2155/16	Red
N2185/16	Green

Variegated Leaf is also available in rolls as a special order.



Blue Shade



Red Shade

www.gildedplanet.com

To Order visit us on-line at www.gildedplanet.com or call at 415.407.5097
e-mail: goldsmith@gildedplanet.com

German Metal Leaf

COMPOSITION GOLD LEAF

Copper & Zinc - Pack of 500 leaves 5 ½" x 5 ½"

K2110	Color 1
K2120	Color 2
K2125	Color 2.5

Pack of 1000 Leaves 6 ¼" x 6 ¼"
Oversize 30% larger

K2125/16	Color 2.5
----------	-----------

ALUMINUM LEAF

Pack of 500 leaves 5 ½" x 5 ½"

K2140	Aluminum
-------	----------

COPPER LEAF

Pack of 500 leaves 5 ½" x 5 ½"

K2135	Copper
-------	--------

VARIEGATED LEAF

Variegated Leaf

Pack of 500 leaves 5 ½" x 5 ½"

K2155	Red
K2165	Blue
K2170	Black
K2185	Green

Fashion Colors Variegated Leaf

Pack of 500 leaves 5 ½" x 5 ½"

K2230	Sea Green
K2245	Blue Special
K2235	Multi Colored
K2250	Green Special

Japanese Metal Leaf

Japanese Metal Leaf is cut on 3 sides. The fourth side is left uncut, after beating, and is folded over.

COMPOSITION GOLD LEAF

Copper & Zinc - Pack of 500 leaves 5 ½" x 5 ½"

J2120	Color 2
J2125	Color 2.5

ALUMINUM LEAF

Pack of 500 leaves 5 ½" x 5 ½"

J2140	Aluminum
-------	----------

Metal Leaf Charts

Hand made color charts of actual leaf samples, oil gilded on white paper. The metal leaf charts indicate the content of copper and zinc for the complete line of leaf.

Nazionale Metal & Variegated Leaf - Italian MLC/N	\$18.00
German Metal & Variegated Leaf MLC/G	\$18.00
Japanese Metal Leaf MLC/J	\$18.00
Set of 3 Metal Leaf Color Charts MLSET	\$42.00

Gilding Fact

Karats and Alloys

Gold is alloyed with Silver, Copper and other metals to achieve a variety of colors and shades. A higher gold content and/or greater amount of copper will result in deeper tones of leaf. The higher karat leaves are also more durable due to the higher gold content. In the lower karats of leaf, such as 18kt, 16kt, and 12kt, gold is alloyed with silver or other metals to achieve lighter colors.

Ribbon Metal Leaf

Composition Gold & Aluminum Ribbon Leaf

Ribbon Metal Leaf is manufactured by Nazionale in Italy. The 50 meter (164 feet) master roll covers 82 sq.ft. and the 75 meter (246 feet) master roll covers 123 sq.ft. without waste or overlap. Any width roll up to 152mm can be cut from a master roll on special order. Available in Color 2 ½ (gold color). Wax used during the manufacturing process leaves a slight film on the leaf. Therefore, a solvent based sealer is recommended.

Composition Gold Ribbon Leaf Rolls

50 Meter Rolls

Stock Widths 50 Meter Length - 164 feet

¼"	6mm	N5006/G
3/8"	10mm	N5010/G
½"	13mm	N5013/G
5/8"	16mm	N5016/G
¾"	19mm	N5019/G
7/8"	22mm	N5022/G
1"	25mm	N5025/G
1 ¼"	31mm	N5031/G
1 ½"	38mm	N5038/G
1 ¾"	45mm	N5045/G
2"	51mm	N5051/G
2 ½"	63mm	N5063/G
3"	76mm	N5076/G
4"	102mm	N50102/G
5"	127mm	N50127/G
6"	152mm	N50152/G

Uncut Factory Master Roll

6 ¼"	Master	N50MAS/G
------	--------	----------

75 Meter Rolls

Stock Widths 75 Meter Length - 164 feet

¼"	6mm	N7506/G
3/8"	10mm	N7510/G
½"	13mm	N7513/G
5/8"	16mm	N7516/G
¾"	19mm	N7519/G
7/8"	22mm	N7522/G
1"	25mm	N7525/G
1 ¼"	31mm	N7531/G
1 ½"	38mm	N7538/G
1 ¾"	45mm	N7545/G
2"	51mm	N7551/G
2 ½"	63mm	N7563/G
3"	76mm	N7576/G
4"	102mm	N75102/G
5"	127mm	N75127/G
6"	152mm	N75152/G

Uncut Factory Master Roll

6 ¼"	Master	N75MAS/G
------	--------	----------

Leaf Coverage Chart and Leaf Size

Material	Size	Quantity	Coverage
Gold Leaf Pack	3 3/8 x 3 3/8	500 leaves	39.5 sq.ft.
Gold Leaf Book	3 3/8 x 3 3/8	25 leaves	1.98 sq.ft
Metal Leaf Pack	5 1/2 x 5 1/2	500 leaves	105 sq.ft.
Metal Leaf Book	5 1/2 x 5 1/2	25 leaves	5.25 sq.ft.
Gold Leaf Master Roll	4 1/8 x 69 ft	Master Roll	23.5 sq.ft.
Silver Leaf Master Roll	5 3/4 x 82 ft.	Master Roll	39 sq.ft.
Metal Leaf Roll 50 meter	6 1/4 x 164 ft	Master Roll	82 sq.ft.
Metal Leaf 75 meter	6 1/4 x 246 ft.	Master Roll	123sq.ft.

Measurements are calculated without consideration for waste or overlap.

www.gildedplanet.com

To Order visit us on-line at www.gildedplanet.com or call at 415.407.5097
e-mail: goldsmith@gildedplanet.com

Aluminum Ribbon Leaf Rolls

50 Meter Rolls

Stock Widths 50 Meter Length - 164 feet

¼"	6mm	N5006/A
3/8"	10mm	N5010/A
½"	13mm	N5013/A
5/8"	16mm	N5016/A
¾"	19mm	N5019/A
7/8"	22mm	N5022/A
1"	25mm	N5025/A
1 ¼"	31mm	N5031/A
1 ½"	38mm	N5038/A
1 ¾"	45mm	N5045/A
2"	51mm	N5051/A
2 ½"	63mm	N5063/A
3"	76mm	N5076/A
4"	102mm	N50102/A
5"	127mm	N50127/A
6"	152mm	N50152/A

Uncut Factory Master Roll
6 ¼" Master N50MAS/A

75 Meter Rolls

Stock Widths 75 Meter Length - 164 feet

¼"	6mm	N7506/A
3/8"	10mm	N7510/A
½"	13mm	N7513/A
5/8"	16mm	N7516/A
¾"	19mm	N7519/A
7/8"	22mm	N7522/A
1"	25mm	N7525/A
1 ¼"	31mm	N7531/A
1 ½"	38mm	N7538/A
1 ¾"	45mm	N7545/A
2"	51mm	N7551/A
2 ½"	63mm	N7563/A
3"	76mm	N7576/A
4"	102mm	N75102/A
5"	127mm	N75127/A
6"	152mm	N75152/A

Uncut Factory Master Roll
6 ¼" Master N75MAS/A

Copper Ribbon Leaf Rolls

Copper Leaf master rolls are 50 meter (164 feet) in length and covers approximately 82 sq.ft. without waste or overlap. Any width roll up to 152mm can be cut from a master roll on special order.

50 Meter Rolls

Stock Widths 50 Meter Length - 164 feet

¼"	6mm	N5006/C
3/8"	10mm	N5010/C
½"	13mm	N5013/C
5/8"	16mm	N5016/C
¾"	19mm	N5019/C
7/8"	22mm	N5022/C
1"	25mm	N5025/C
1 ¼"	31mm	N5031/C
1 ½"	38mm	N5038/C
1 ¾"	45mm	N5045/C
2"	51mm	N5051/C
2 ½"	63mm	N5063/C
3"	76mm	N5076/C
4"	102mm	N50102/C
5"	127mm	N50127/C
6"	152mm	N50152/C

Uncut Factory Master Roll
6 ¼" Master N50MAS/C

Visit the GildedPlanet Step-by-Step Tutorials for:

<http://www.gildedplanet.com/gildingtutorials.asp>

Gold Leaf Techniques
Silver Leafing Techniques
7 Essential Steps for Perfect Gilding
Gilding Terms
Antiquing Methods
Gilding Books

or *ask the experts* to help you with your
specific project requirements at:

"Ask artSparx"

<http://www.artsparx.com/askartsparx.asp>

www.gildedplanet.com

To Order visit us on-line at www.gildedplanet.com or call at 415.407.5097
e-mail: goldsmith@gildedplanet.com

GILDING SUPPLIES

Burnishing Clay - Bole

An exceptional gilded surface is a direct result of the application of the finest gilder's bole. Our selection of clays includes both dry cone and premixed (dissolved in water) forms. All of these burnishing clays must be mixed with glue before applying.

LeFranc CLAY - French

LeFRANC burnishing clay is available in the three traditional colors, premixed with water in 750ml jars.

3155	Red Premixed 750ml	\$ 31.00
3160	Yellow Premixed 750ml	\$ 31.00
3170	Black Premixed 750ml	\$ 31.00

Restoration Colors Burnishing Clay - Canadian

Canadian burnishing clays are premixed with water and sold in 125g and 500g packages.

403	Veronese Green	
409	Victorian Grey	
411	Arctic White	
125 Gram Package add Code/125		\$18.00
500 Gram Package add Code/500		\$32.00

TYPES of LEAF

Regular Gold

This term refers to the average thickness which a manufacturer has deemed as the standard for gold leaf. This standard may vary from one manufacturer to another. One gold beater's regular may be thinner than the regular leaf of another brand.

Surface Gold

Surface gold leaf may have a few irregularities and is often used where double gilding is required or the leaf will be distressed or toned.

Loose Gold

A book of loose gold leaf is assembled by placing each piece of gold leaf between pieces of thin rouged paper. The gilder can then remove one leaf at a time without disturbing the remaining leaves. It is removed from the book with a gilder's tip, a flat natural hair brush.

Glass Gold

This term applies to gold leaf which is selected for its higher quality having fewer pinholes and irregularities.

Double Gold

Double gold does not mean that the leaf is two times thicker than regular leaf. Double leaf may be only 10% to 20% thicker than regular gold leaf. Double means that it is heavier than regular.

Patent Gold

Patent gold leaf, also referred to as transfer leaf, is gold leaf mounted to special tissue paper by a pressure process. A book of patent gold leaf is assembled by placing each unit of gold leaf and tissue paper between pieces of thin rouged paper. The gilder can then remove one leaf at a time without disturbing the remaining leaves.

Patent leaf is removed from the book without the aid of a gilder's tip. The leaf will stay on the tissue until it is pressed onto the prepared surface and the tissue backing is removed. This form of gold leaf is necessary for outdoor work or where conditions would make loose leaf unmanageable. Patent gold leaf is not suitable for water gilding and is best suited for flat surfaces.

Patent gold leaf is sensitive to changes in temperature and humidity and needs to be stored properly. Store patent leaf in a damp environment of about 80% humidity wrapped in plastic wrap. This helps to prevent the moisture content of the tissue paper from fluctuating.

www.gildedplanet.com

To Order visit us on-line at www.gildedplanet.com or call at 415.407.5097
e-mail: goldsmith@gildedplanet.com

SIZING - Gilding Adhesive

Oil Sizing

LeFranc Mixtion Oil Size - French

This is the traditional, clear, natural, oil based size made in France. LeFranc has earned the reputation of being the best oil size available and experienced gilders request LeFranc for their most important projects. Both the 3 hour fast dry and 12 hour slow set mixtures are available in a range of sizes. Ground shipment only.



3 Hour

3/125	125ml	4.2oz.
3/250	250ml	8.4oz.
3/500	500ml	16.9oz.
3/1L	1 Liter	33.9oz.

12 Hour

12/250	250ml	8.4oz.
12/500	500ml	16.9oz.
12/1L	1 Liter	33.9oz.

10% discount on case purchase - 3 and 12 hour may be combined for discount
Packing per case:

75ml = 12 pieces	500ml = 6 pieces
125ml = 12 pieces	1 Liter = 6 pieces
250ml = 12 pieces	



Rolco Size

The Rolco formulas for gold size, both Quick-Dry and Slow-Set, have been all-time gilder's favorites for over 50 years. Quick-Dry will reach tack in 1 to 3 hours and Slow-Set will be ready to accept leaf overnight or in 10 to 12 hours. Ground shipment only.

Quick-Dry Gold Size - 3 Hour

RQ/4	1/4pt.
RQ/8	1/2pt.
RQ/P	1 Pint
RQ/Q	1 Quart
RQ/GAL	1 Gallon

Slow-Set Gold Size - 12 Hour

RS/4	1/4pt.
RS/8	1/2pt.
RS/P	1 Pint
RS/Q	1 Quart
RS/GAL	1 Gallon

www.gildedplanet.com

To Order visit us on-line at www.gildedplanet.com or call at 415.407.5097
e-mail: goldsmith@gildedplanet.com

Water based Sizing



Rolco AQUASIZE

Aquasize, a water-base size, designed for all interior leaf work where an extended tack time is required. Apply AQUASIZE by brush or spray at packaged consistency. Proper tack will develop in 25 minutes and will remain open for gilding up to 36 hours.

AQUA/8	1/2pt.
AQUA /P	1 Pint
AQUA /Q	1 Quart
AQUA /GAL	1 Gallon
AQUA /5GAL	5 Gallon

WUNDA SIZE

A domestic, water-based, synthetic size for use on all interior gilding projects. Reaches tack in 15 minutes with an open time for gilding of up to 36 hours.

3010	Quart
3000	Gallon

10% discount on purchases of 12 quarts or more
10% discount on purchases of 8 Gallons or more.

Packing per case:
Quart = 12 pieces
Gallon = 4 pieces

AIR-O-SIZE

An interior, synthetic size in an aerosol can for easy application. Reaches tack in 15 minutes with an open time for gilding of up to 36 hours. Ground shipment only.

3030 6 1/4 oz. Aerosol

AIR-O-SEAL

A clear acrylic sealer for metal leaf. Aerosol.

3031 6 1/4 oz. Aerosol

COMMONWEALTH VARNISH

VENICE JAPAN GOLD SIZE

A high grade, amber color, gold size formulated for sign or similar small area gilding. It reaches tack in less than one hour. This size produces a brilliant luster with gold and metal leaf. Cleaning up will not cause scratches or dimness, providing the leaf is applied at the proper time.

CVJ/8	1/2 Pint Can
CVJ/Q	Quart Can

Gelatin Glue size for Glass Gilding

Platinum white gelatin sheets are the alternate to 00 gelatin capsules. Each sheet is embossed with 80 diamonds. A two diamond section is equal to one 00 gelatin capsule and, when placed in one half pint of water, it will make an average strength batch of gelatin glue size.

GE/K	1 Kilogram Box
GE/500	1/2 Kilogram Box
GE/10	10 Sheets
GE/S	Single Sheets

Primers for Gilding

Rolco Burnish Sealer - Red, Grey and Ochre

A primer-sealer for use with LeFranc and Rolco gilder's sizing. Rolco Burnish Sealer produces a high quality, smooth surface for gilding. Ochre, red or grey can produce fault hiding bases or color enhancing undertones. Dries to handle - 1 hour; to recoat - 8 hours. Full cure - 24 hours. Do not apply over latex or waterborne paints. Brush, roller or spray application. Ground shipment only.

RB/8	Ochre 1/2 pint	\$ 10.00
RB/P	Ochre 1 Pint	\$ 18.00
RB/Q	Ochre 1 Quart	\$ 34.00
RBR/P	Ochre 1 Pint	\$ 18.00
RBR/Q	Ochre 1 Quart	\$ 34.00
RBG/P	Ochre 1 Pint	\$ 18.00
RBG/Q	Ochre 1 Quart	\$ 34.00

Sealers for Gilding

Rolco Acrylic Topcoat - High gloss and Semi-gloss available

Rolco's Acrylic Topcoat is a non-reactive, premium water clear sealer for genuine and metal leaf. Made from acrylic copolymers, Acrylic Topcoat provides protection from abrasion, water and ultra violet light. This solvent based sealer resists chemicals and may be applied by brush or spray.

RAT/Q	High Gloss 1 Quart	\$ 27.50
RATsemi/Q	Semi-Gloss 1 Quart	\$ 27.50

Exterior Gilding Techniques:

Priming metal surface

It is necessary to apply a high quality metal primer over your exterior metal surface to insure the gold layer has an appropriate surface to rest on. We recommend a product specially formulated for exterior gilding on metal, The 'Rolco Burnish Sealer' is a primer-sealer specially designed for use under gilding size (adhesive). For details see above.

Sizing, or gilding adhesive

For exterior purposes, LeFranc Mixtion 12 hour size is recommended. This is a traditional, clear, natural, oil based size made in France. (See page 16)

Genuine Gold Leaf

23.5 karat genuine gold leaf is recommended for exterior gilt surface. Genuine 23.5 kt gold leaf is available in individual sheets (3 3/8" x 3 3/8"), Patent leaf, and Rolls of genuine gold, 4 1/8" leaf on a continuous roll of 68ft. For exterior gilding, Patent leaf can be handled and manipulated with ease due to the gold being attached to the paper surface.

Burnishing

A soft hair Squirrel mop (brush) is recommended to remove excess leaf and 'polish' the surface. You can complete this process by using soft cotton, to remove any excess gold pieces and create the finished, burnished gold appearance.

Sealing your gilt surface

Genuine 23.5 kt or 23 kt leaf does not need to be sealed on exterior surfaces. For interior use and imitation metal leaf you can use Rolco Acrylic Topcoat. For details see above.

www.gildedplanet.com

To Order visit us on-line at www.gildedplanet.com or call at 415.407.5097
e-mail: goldsmith@gildedplanet.com

Powders for Gilding

Powder Gilding with gold, silver and mica powders will cover surfaces evenly and quickly. Kolner-GlanzGold-Grund has developed a special size for powder gilding (see below). Powder Gold is available from two manufacturers in 1 or 2 gram vials packaged by weight, not volume.

DAUVET Powder Gold - French

Powder gold is the latest addition to the family of gold products from France's renowned manufacturer of gold and silver leaf.

PG23.50/1 23.50kt 1 Gram

ROTA

Powder Gold

	Karats	% Gold	2 Grams
PG22.00/2	22	91.6	
PG23.00/2	23	95.8	
PG23.50/2	23 ½	97.9	
PG23.75/2	23 ¾	98.9	

Powder Silver

PS/10	Silver 10 gram Package
PS/20	Silver 20 gram Package

Gold Specialty Products

Gold Skewings

Irregular gold leaf flakes (Schaibin) sold in 1 gram bags. The SK24 and SK23 SKEWINGS are approximately ¼" to 1" in size and the extra fine, CK23, CHAMPAGNE are smaller, about 1/16" to ¼".

SK24	24kt	1 gram Bag
SK23	23kt	1 gram Bag
CK23	23kt	1 g Champagne

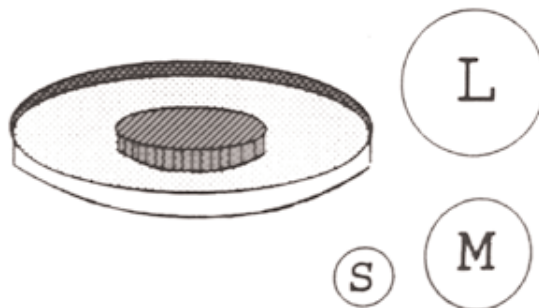


Shell Gold

Powder gold suspended in gum Arabic in tablet form. Water soluble for touch-up.

Round Tablets - German

SH23.75/S	23.75kt
SH23.75/M	23.75kt
SH23.75/L	23.75kt
SH23.50/S	23.50kt
SH23.50/L	23.50kt
SH22.00/S	22.00kt
SH22.00/M	22.00kt
SH22.00/L	22.00kt



Rectangular Tablets - French

Color	Gram	
SH23.50JA	Jaune	1.00

Shell Silver

Water soluble tablets of pure Silver suspended in gum Arabic

German Round Tablets

SSV/L 5.50g Tablet

Cheese Cloth

Regular 20" x 12" bleached cheesecloth sold in 100 yard packages.

CCR 100 Yard Package \$ 65.00

Wiping Material

"T-shirting", 100% cotton rags #1 white for cleanup, waxing and polishing sold in 10 and 25 pound packages.

CR/10 100% White Cotton Rags 10 lbs. \$ 28.00
 CR/25 100% White Cotton Rags 25 lbs. \$ 62.00

Parchment Clippings

Pieces of parchment for the preparation of glue size sold in 1 pound packages.

PC/1 1 pound Package \$ 28.00

www.gildedplanet.com

To Order visit us on-line at www.gildedplanet.com or call at 415.407.5097
 e-mail: goldsmith@gildedplanet.com

Cotton Gilding Gloves

100% cotton lightweight Gloves. One size fits all.

CGG	1 dozen per pack	\$ 10.00
-----	------------------	----------

Rottenstone

Decomposed limestone used for polishing metals and distressing water gilded surfaces to reveal bole and lay-lines. The grey color makes it a desirable antiquing dust.

RS/500	500 gram	17.6oz	\$ 16.00
RS/K	1 kilogram	35.2oz	\$ 23.00

Pumice Powder

Extra fine powdered volcanic rock used as a polish and antiquing abrasive for all metal leaf. It is also used to impart tooth to grounds. This extra fine PUMICE POWDER is coarser than the ROTTENSTONE, listed above.

PX/100	100 gram	3.5oz	\$ 8.50
PX/500	500 gram	17.6oz	\$ 16.00
PX/K	1 kilogram	35.2oz	\$ 23.00

Shellac Flakes

Orange, lemon, ruby and blond dewaxed shellac crystal flakes sold in 1 and 5 kilo packages

SHB/1K	Blond Flakes	1 kilo
SHB/5K	Blond Flakes	5 kilos
SHL/1K	Lemon Flakes	1 kilo
SHL/5K	Lemon Flakes	5 kilos
SHO/1K	Orange Flakes	1 kilo
SHO/5K	Orange Flakes	5 kilos
SHR/1K	Ruby Flakes	1 kilo
SHR/5K	Ruby Flakes	5 kilos

White Gesso

The finest whiting from France sold in 5, 10, 20 and 55 pound packages for the making of gesso.

GF/5	French Rouge	5 lbs.
GF/10	French Rouge	10 lbs
GF/20	French Rouge	20 lbs
GF/55	French Rouge	55 lbs

Hide Glue for making Gilder's Gesso

HG31503/1	Granular German	1 lb.
HG31503/5	Granular German	5 lb.
HG31503/10	Granular German	10 lb.
HG31503/55	Granular German	55 lb.

Rabbit Skin Glue

RS3503/1	Granular German	1 lb.
RS3503/5	Granular German	5 lb.
RS3503/10	Granular German	10 lb.
RS3503/55	Granular German	55 lb.

Rabbit Skin Glue - German Fine Granulated

RSG309/1	Granular German	1 lb.
RSG309/5	Granular German	5 lb.
RSG309/10	Granular German	10 lb.
RSG309/55	Granular German	55 lb.

Gelatin Glue - American

The high quality glue that produces a super burnish. Easy to prepare, this natural glue makes glue equal in strength to the traditional rabbit skin glues.

25BG/1	Gelatin Glue	1 lb.
25BG/5	Gelatin Glue	5 lb.
25BG/10	Gelatin Glue	10 lb.
25BG/100	Gelatin Glue	100 lb.

Gilder's Tools

Gilder's Pad

GP/K	Plain 6" x 6" American W/O shield	\$ 24.00
GP/A	Plain 6" x 9" American W/O shield	\$ 62.00
GP/S	Standard 6" x 10" American W/paper shield	\$ 66.00
GP/AS	Custom 6" x 9" American W/parchment shield	\$ 83.00
GP/D	Deluxe 7" x 9 ½" American W/O shield	\$ 73.00

Gilder's Knife

GK/DR	Double edge with round tip 5 ½" blade	\$ 32.00
GK/S	Single edge with square tip 5 ½" blade	\$ 32.00
GK/DF	Double edge with Square tip 5 ½" blade	\$ 32.00
GK/C	Single edge narrow French 5 ½" blade	\$ 30.00

www.gildedplanet.com

To Order visit us on-line at www.gildedplanet.com or call at 415.407.5097
e-mail: goldsmith@gildedplanet.com

Leaf Tongs

GT	Tongs for picking up leaf	\$ 32.00
----	---------------------------	----------

Gold Trimmer

Aluminum handle used to hold single edge razor blade for trimming gold on glass. A handy tool to get the "crisp edge" on a letter.

GLT	Trimmer	\$ 25.00
-----	---------	----------

Restoration Sponge

Special "eraser" for cleaning old surfaces & paintings without liquid chemicals.

RSP	Restoration Sponge	\$ 10.00
-----	--------------------	----------

Horse Hair Cloth

A mildly abrasive bole polishing cloth made from horsehair.

HHC	10" x 15" Cloth	\$ 8.00
-----	-----------------	---------

Gilding Wheel - Ribbon Leaf Application Tool

A time saving tool for the application of roll gold and metal leaf, it holds the roll and collects the paper backing.

GW9	For rolls up to 9" wide	\$ 125.00
-----	-------------------------	-----------

Please contact us about our extensive range of Gilding Brushes, Burnishers and Gesso Carving tools.

www.gildedplanet.com

To Order visit us on-line at www.gildedplanet.com or call at 415.407.5097
e-mail: goldsmith@gildedplanet.com

Orders are processed Monday thru Friday.
Orders should be placed on-line at www.gildedplanet.com

Orders placed before
2 pm. EST will be shipped the same day.

Prices:

- All prices are subject to change without notice
- Due to volatility of currencies and gold markets, prices are confirmed when order is placed.
- Prices are FOB New York
- Shipping, insurance are added to invoice.

Shipping:

All shipments are sent by UPS fully insured, unless other arrangements are made.

- **Ground Regular Service** - one to seven working days
- **3 Day Select** - three day service, except Alaska, Hawaii and Puerto Rico
- **Blue 2-Day Air** - Delivery in 2 days, except Alaska, Hawaii and Puerto Rico
- **Blue 2-Day Air A.M.** - Delivery before noon in 2 days, except Alaska, Hawaii and Puerto Rico
- **Red Next-Day Air Saver** - Delivery in one day, except Alaska, Hawaii and Puerto Rico
- **Red Next-Day Air** - Delivery before noon in one day, except Alaska, Hawaii and Puerto Rico
- **Insurance charge** - \$0.35 per \$100 of invoice value
- **Saturday Next-Day Air** delivery charge is \$ 12.50
- **Hazardous material** charge is \$ 10.00 per package.

Returns

Materials may only be returned within 30 days of purchase after receiving return authorization from The Gilded Planet. Refunds are limited to the cost of the item purchased and the item must be in sealed original packaging, unused. books and color charts are not returnable. Customer will be charged a re-stocking charge for goods returned without prior authorization, plus original shipping and return shipping charges when delivery is refused. A 5% processing fee will be included on all returns originally paid with a credit card.

Combustible Materials

Combustible and hazardous materials can not be shipped by air service (Red Label, Blue Label, 3 Day). Please allow adequate shipping time for ground shipment of oil based sizes, varnishes and other combustible products.

Winter Shipments

Water based products which are subject to freeze damage will not be shipped during winter months. Wunda Size, AquaSize and pre-mixed clays are examples of items that cannot be shipped by UPS during winter months. Customers who request shipment of above products during months of possible freeze damage assume all responsibility for condition of goods received.

www.gildedplanet.com

To Order visit us on-line at www.gildedplanet.com or call at 415.407.5097
e-mail: goldsmith@gildedplanet.com